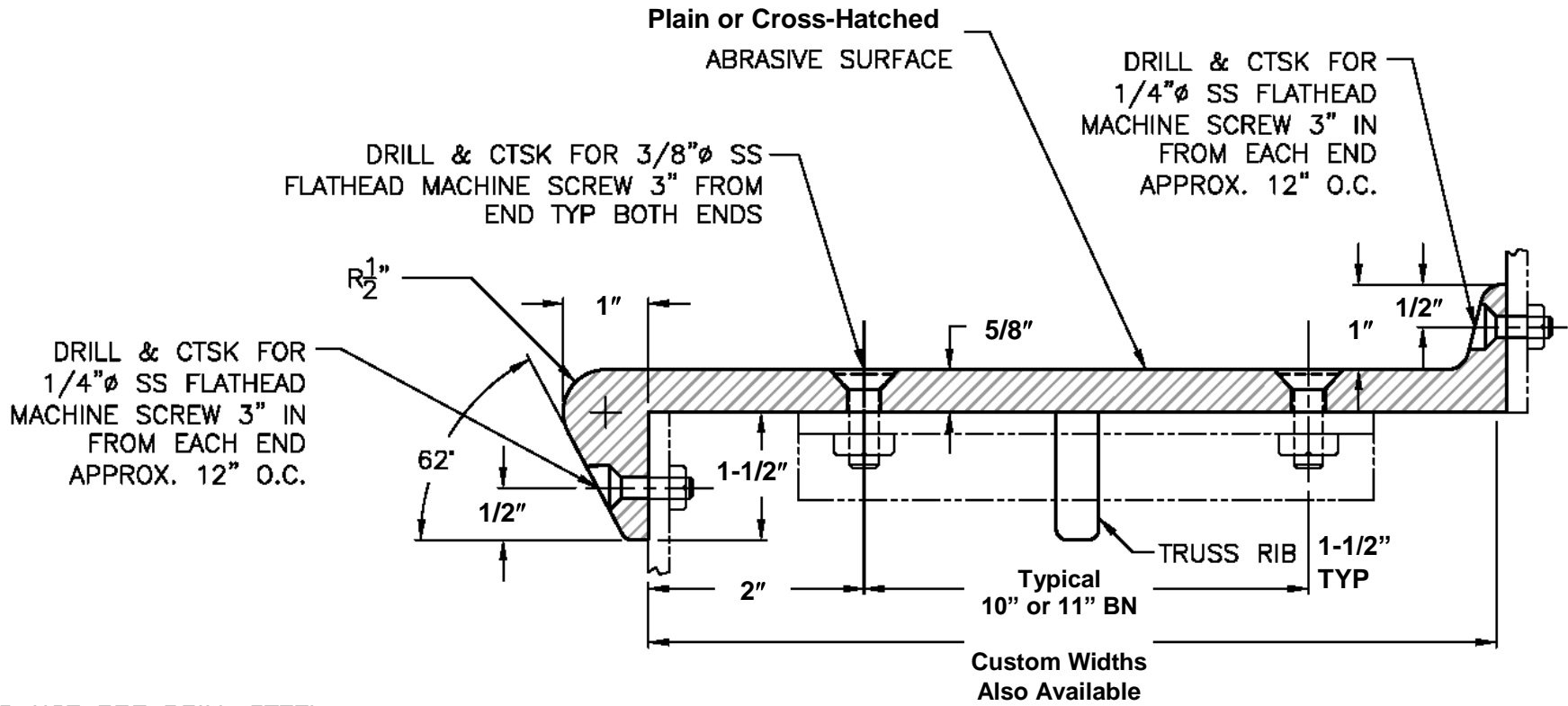


**STYLE KK-ADA**  
**SELF SUPPORTING TREAD WITH TOE FLANGE FOR**  
**STEEL STAIRS WITH RISERS**



DO NOT PRE DRILL STEEL  
USE TREAD AS TEMPLATE

**Available in Cast Abrasive Aluminum, Bronze, Nickel Bronze & Iron**

PLEASE NOTE: Dimensions and design must be field checked by others before fabrication. All material will be fabricated to dimensions shown on final approved drawings, field checked by others. Safe-T-Metal is not responsible for any dimensions, design errors, or quantities not shown on final field checked drawings.

Approved:	Project:	Holes:	Tolerances Unless Otherwise Specified:  Fractional ± 1/8"  Angular ± 5°	Safe-T-Metal Products by Meloon Foundries LLC Phone: 800-886-7238 Fax: 315-454-3253 1841 LeMoyne Avenue Syracuse, NY 13208	Date:
	Customer:	Shop Paint:			Customer P.O. #:
Date:	Material:		Sheet No.:		