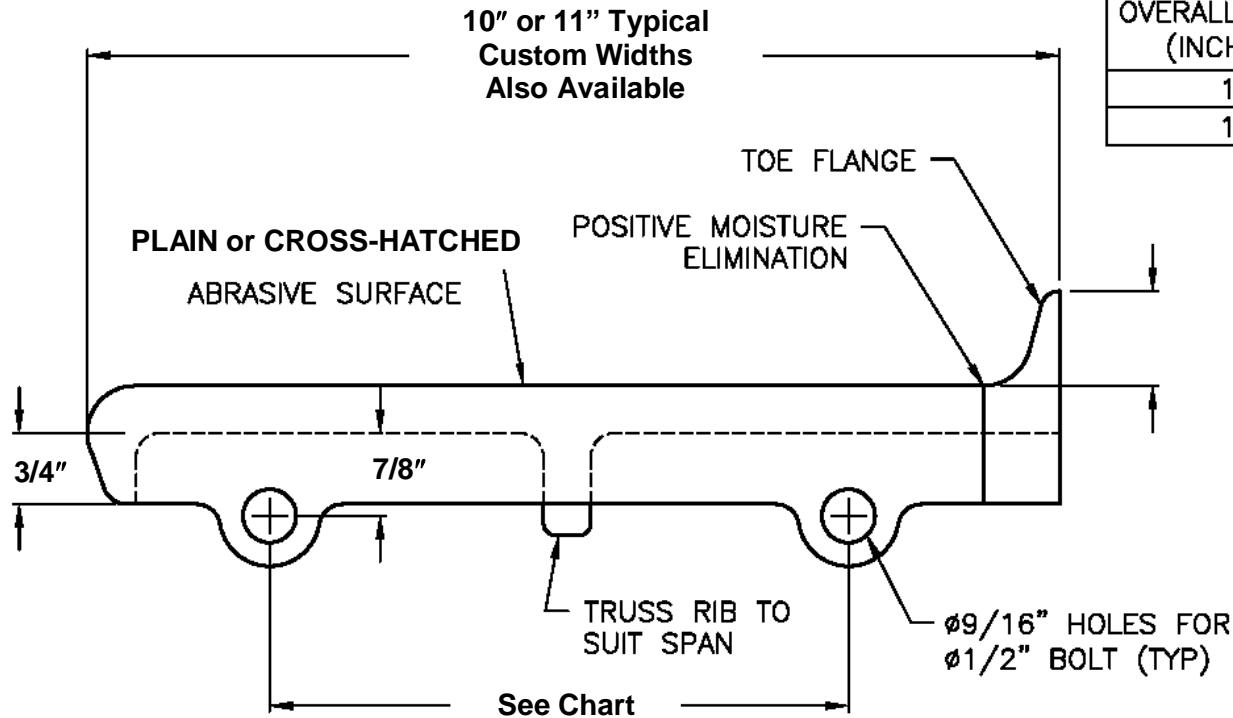


STYLE BK
PLAIN NOSING

STANDARD HOLE SPACING	
OVERALL WIDTH (INCHES)	CENTER-TO-CENTER SPACING (INCHES)
10	6
11	6



Available in Cast Abrasive Aluminum, Bronze, Nickel Bronze & Iron

PLEASE NOTE: Dimensions and design must be field checked by others before fabrication. All material will be fabricated to dimensions shown on final approved drawings, field checked by others. Safe-T-Metal is not responsible for any dimensions, design errors, or quantities not shown on final field checked drawings.

Approved:	Project:	Holes: End Lugs	Safe-T-Metal Products by Meloon Foundries LLC Phone: 800-886-7238 Fax: 315-454-3253 1841 LeMoyne Avenue Syracuse, NY 13208	Date:
	Customer:	Shop Paint:		Customer P.O. #:
Date:	Material:			Sheet No.: