

STYLE KK

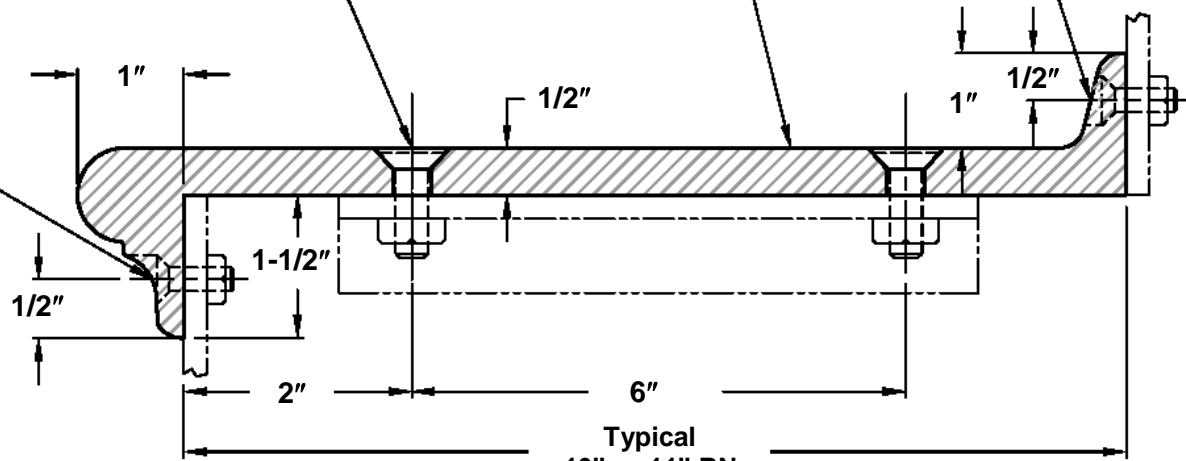
SELF SUPPORTING TREAD WITH TOE FLANGE FOR STEEL STAIRS WITH RISERS

DRILL & CTSK FOR 3/8"Ø SS
FLATHEAD MACHINE SCREW 3" FROM
END TYP BOTH ENDS

DRILL & CTSK FOR
1/4"Ø SS FLATHEAD
MACHINE SCREW 3" IN
FROM EACH END
APPROX. 12" O.C.

Plain or Cross-Hatched
ABRASIVE SURFACE

DRILL & CTSK FOR
1/4"Ø SS FLATHEAD
MACHINE SCREW 3" IN
FROM EACH END
APPROX. 12" O.C.



Typical
10" or 11" BN
Custom Widths
Also Available

DO NOT PRE DRILL STEEL
USE TREAD AS TEMPLATE

Available in Cast Abrasive Aluminum, Bronze, Nickel Bronze & Iron

PLEASE NOTE: Dimensions and design must be field checked by others before fabrication. All material will be fabricated to dimensions shown on final approved drawings, field checked by others. Safe-T-Metal is not responsible for any dimensions, design errors, or quantities not shown on final field checked drawings.

Approved:	Project:	Holes:	Safe-T-Metal Products by Meloon Foundries LLC Phone: 800-886-7238 Fax: 315-454-3253 1841 LeMoyne Avenue Syracuse, NY 13208	Date:
	Customer:	Shop Paint:		Customer P.O. #:
Date:	Material:			Sheet No.: